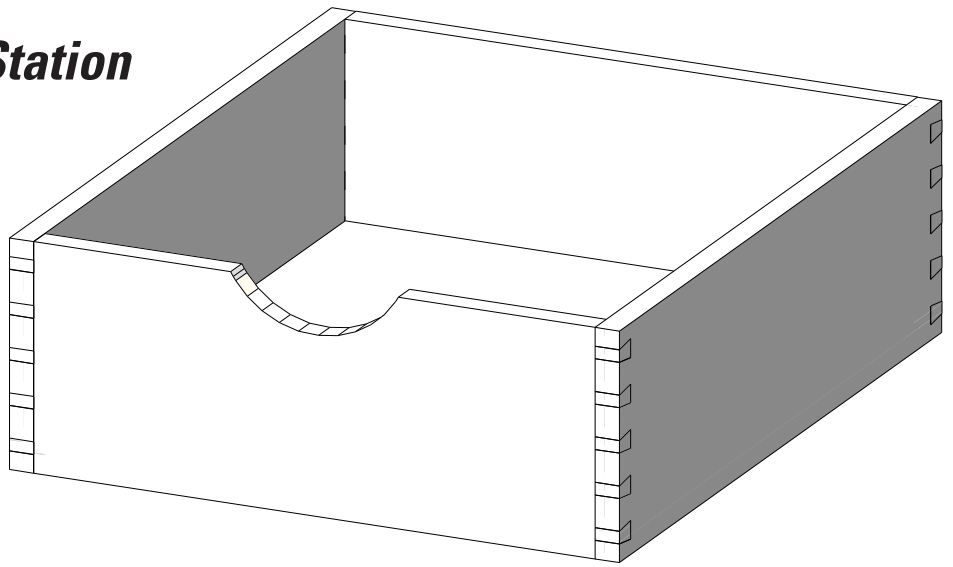
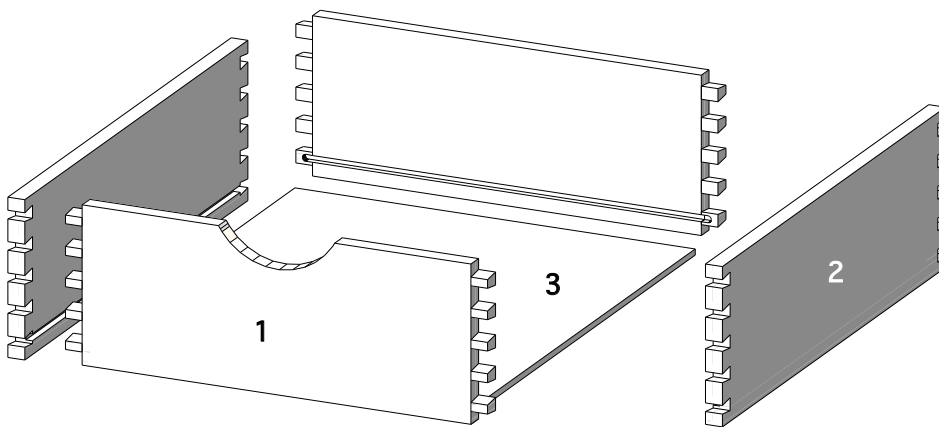


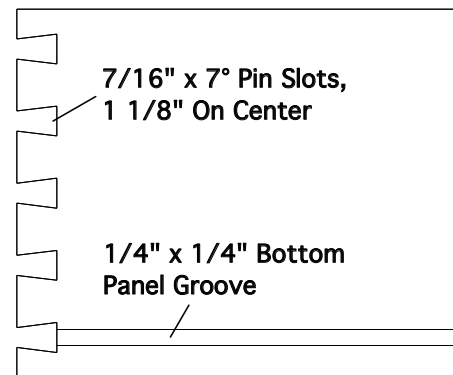
Ultimate Miter Saw Station Scrap Bins



Exploded View



Elevations



MATERIAL LIST	
	T x W x L
1 Front, Back (4)	5/8" x 5 3/4" x 15 3/4"
2 Sides (4)	5/8" x 5 3/4" x 18"
3 Bottom (2)	1/4" x 15" x 17 1/4"

Construction Notes:

Bottom panel grooves in front and back panels (pieces 1) must stop short of the ends of the pins. Start and stop these cuts on the router table with a 1/4" straight or spiral bit. Rabbet, box or half-blind joinery could be used as substitutes for through dovetail joints shown here.

